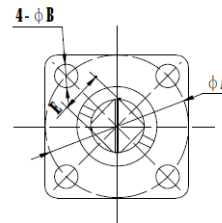
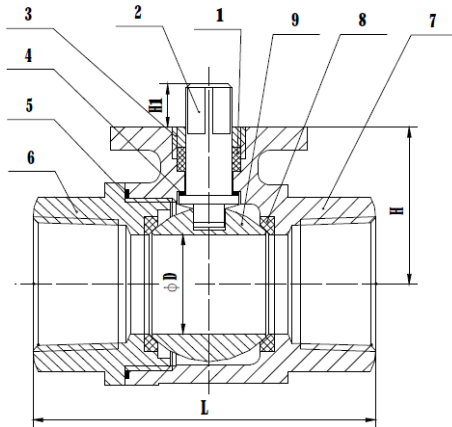


ACDRA 30 (ISO 5211)

ITEM	PARTS	MATERIAL
1.	STEM PACKING	PTFE
2.	STEM	304
3.	GLAND NUT	304
4.	STEM SEAL	PTFE
5.	BODY SEAL	PTFE
6.	CAP	CF8M
7.	BODY	CF8/CF8M
8.	BALL SEAL	PTFE
9.	BALL	CF8M



SIZE	1/4"	3/8"	1/2"	3/4"	1"	1 1/4"	1 1/2"	2"	2 1/2"	3"	4"
D	11	12.5	15	20	25	32	38	50	65	76	94
L	57	57	63	75	89	105	118	136	162	190	225
H1	8	8	8	8	8	8	10	10	15	15	15
A	36	36	36	36	36	36	50	50	70	70	70
B	6	6	6	6	6	6	7	7	9	9	9
E	9	9	9	9	9	9	11	11	14	14	17